

ST-7

INSTRUCTION MANUAL

Ortofon MC Step Up Transformer



ortofon
accuracy in sound

CAUTION

- Keep the unit away from magnetic sources.
- Protect the unit from high temperatures and moisture.
- Keep the unit out of the reach of children.
- Do not disassemble, modify or repair the unit by yourself.
- Keep the unit clean and dry and avoid contact with liquids.
- Using detergent or benzene may cause surface discoloration and may result in malfunction.

MAINTENANCE

- Dust the unit surface with a clean, dry cloth.
- Keep the RCA connectors clean to obtain the best performance. Using alcohol as a cleaning solvent is acceptable.

SPECIFICATIONS

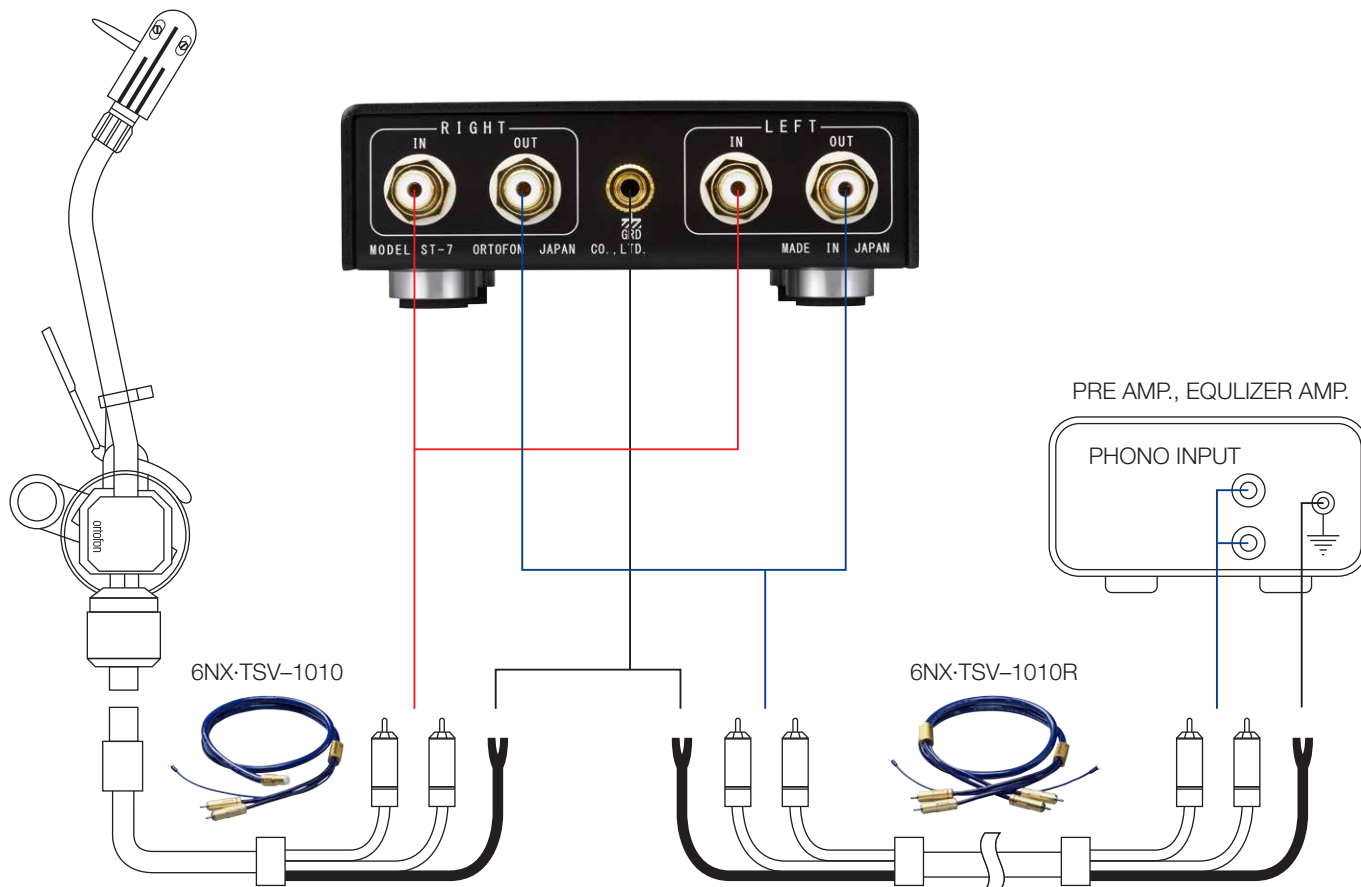
Frequency Response:	15 ~ 45 kHz (+0 dB -2.5 dB)
Gain:	24 dB (47 k Ω / 1 kHz)
Cartridge Impedance:	2 Ω ~ 60 Ω
Load Impedance:	> 47 k Ω
Channel Balance:	< 0.5 dB
Channel Separation:	70 dB (1 kHz)
Dimensions:	122(W) x 43.5(H) x 102(D) mm Including terminal: 113(D) mm
Weight:	0.79 kg

EXPLANATION



- ① Input terminal for Right channel RCA plug.
- ② Input terminal for Left channel RCA plug.
- ③ Output terminal for Right channel RCA plug.
- ④ Output terminal for Left channel RCA plug.
- ⑤ Grand earth terminal.

CONNECTION





Get more information
on our website.