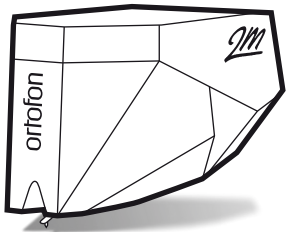


ortofon



accuracy in sound

2M



Technical specifications

2M models



2M Verso models



2M Premounted models



Model	2M Red	2M Blue	2M Bronze	2M Black	2M Black LVB 250	2M 78	2M Mono
Output voltage at 1 kHz, 5 cm/sec.	5.5 mV	5.5 mV	5 mV	5 mV	5 mV	4 mV	4 mV
Tracking ability at 315 Hz	70 μm	80 μm	80 μm	80 μm	80 μm	70 μm	70 μm
Compliance, dynamic, lateral	18 $\mu\text{m}/\text{mN}$	18 $\mu\text{m}/\text{mN}$	20 $\mu\text{m}/\text{mN}$	20 $\mu\text{m}/\text{mN}$	22 $\mu\text{m}/\text{mN}$	22 $\mu\text{m}/\text{mN}$	22 $\mu\text{m}/\text{mN}$
Stylus type	Elliptical	Nude Elliptical	Nude Fine Line	Nude Shibata	Nude Shibata	Spherical	Nude Spherical
Tracking force recommended	1.8 g (18 mN)	1.8 g (18 mN)	1.5 g (15 mN)	1.5 g (15 mN)	1.6 g (16 mN)	1.8 g (18 mN)	1.8 g (18 mN)
Load resistance	47 kOhm	47 kOhm	47 kOhm	47 kOhm	47 kOhm	47 kOhm	47 kOhm
Load capacitance	150 – 300 pF	150 – 300 pF	150 – 300 pF	150 – 300 pF	150 – 300 pF	150 – 300 pF	150 – 300 pF
Weight, Cartridge	7.2 g	7.2 g	7.2 g	7.2 g	7.2 g	7.2 g	7.2 g
Weight, Premounted	16.7 g	16.7 g	16.7 g	16.7 g	16.7 g	16.7 g	16.7 g

All specs at recommended tracking force

About the Ortofon 2M Series cartridges

Thank you for choosing the Ortofon 2M magnetic cartridge system for high performance sound reproduction of your favourite analogue records.

Our company has been working with sound reproduction since 1918. Ortofon developed its first phono cartridge in 1948, since then more than 300 different phono cartridges have been developed and manufactured. Reflecting our extensive experience in industrial design and technological know-how we have become the global leader in the manufacture and supply of phono cartridges.

The 2M Series has been engineered in accordance with the highest standards and is congruent with Ortofon's unrelenting commitment to providing the most precise and accurate reproduction possible without coloration.

The 2M Series comprises of three configurations: 2M for top mounting, 2M Verso for bottom mounting, and 2M Premounted for direct mount on s-shaped arms with universal mount. Each configuration consists of 2M 78, Mono, Red, Blue, Bronze, Black and Black LVB 250, which weight and size have been optimized to fit the most common turntables on the market to-day.

As a result of reviewer listening tests we feel confident that you will appreciate and enjoy the unique qualities of these cartridges.

ortofon



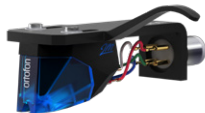
2M

Standard model for top mount headshells. We have optimized the design for ease of mounting the cartridge; the weight and dimensions fit the most common turntables on the market today.



2M Verso

For bottom mount headshells. 2M Verso allows for easy mounting on tonearms which do not allow the screws to pass through the top of the headshell.



2M Premounted

Designed for direct mount on s-shaped arms with universal mount. 2M Premounted provides correct Baerwald alignment with the majority of tonearms with universal mount.

Mounting the 2M cartridge

1. Remove stylus unit with stylus guard before working with leads and screws. Handle all parts carefully. (fig. 1-2)

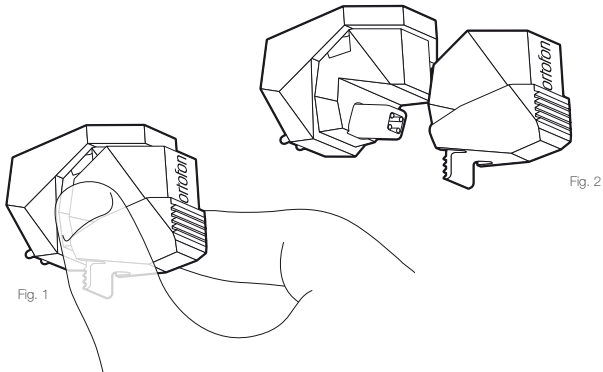


Fig. 2

2. Note colours and channel indications on rear side of the body for correct connection of the tone arm leads. (fig. 3)

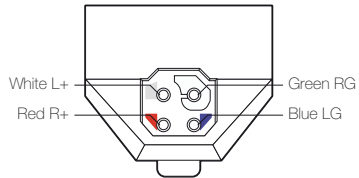
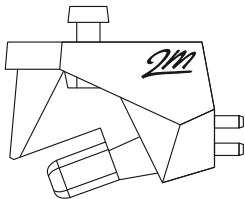


Fig. 3

3. The Ortofon packing contains a pair of screws with a thread length of 5 mm. The screws are to be used with headshell thicknesses of max. 3.5 mm. The 2M threaded mounting plate has a thickness of 3 mm.

2M top mount



2M Verso bottom mount

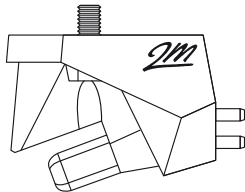


Fig. 4

To check that you are using the right length of screws – please observe that screws must not touch the body under the mounting plate – look into the small openings on each side of the body. (fig. 4)

Do not tighten screws completely before the stylus unit has been remounted (fig. 1) – to adjust stylus overhang refer to the record player or tone arm manual and cartridge dimensions. (fig. 5)

Never overtighten screws and never use aluminium screws, as they can get stuck in the threaded holes of the mounting plate.

Note: If excessively long screws are used and are pressing against the body material, this may influence channel separation and could damage the cartridge body. In case of such damage the Ortofon warranty will be void.

4. Adjust tone arm parallel to record surface, adjusting anti-skating and stylus pressure according to cartridge recommended data and record player manual.

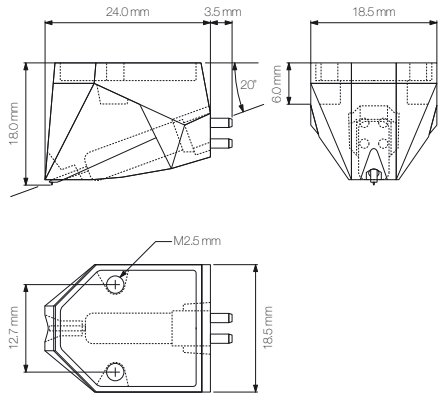


Fig. 5

Stylus care and maintenance

To obtain optimal sound reproduction, remove dust from stylus regularly by using the enclosed small brush.

If the headshell can be easily removed from the tone arm, we recommend that you turn the diamond upwards and brush gently forward in the direction of the diamond tip along the cantilever.

We do not recommend the use of propyl alcohol (or other cleaning fluids) for cleaning the cartridge, as the diamond cement as well as the suspension system could be seriously damaged and thereby ruin the cartridge.

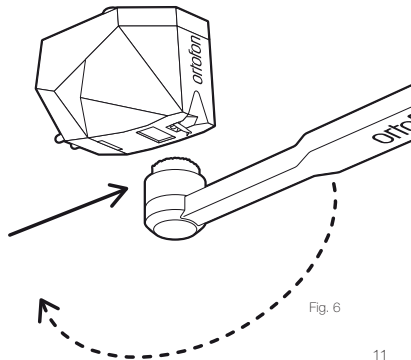


Fig. 6

Stylus guard

Remove the stylus guard before use by holding at the front and rear of the guard and gently pressing the rear while tilting it downwards. (fig. 7-8)

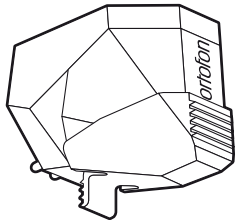


Fig. 7

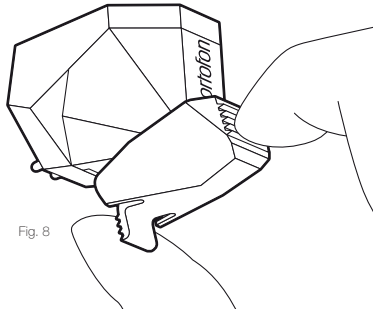


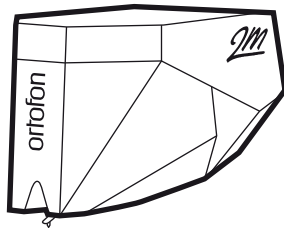
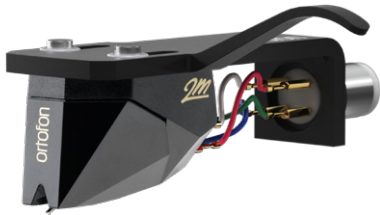
Fig. 8

How to replace M2.0 mm screws on 2M Verso

- Remove the stylus with the stylus protection guard from the cartridge body to avoid any damage to the diamond
- Using Torx 8 key, unscrew the black screw from the Verso top plate
- Remove the top plate from the cartridge body by pulling the screws off
- Remove the two countersunk screws from the top plate
- Insert the two M2.0 mm screws in the top plate
- Mount the top plate on the cartridge body. Hold the top plate with screw-threads hanging down and turn the cartridge body 180 degrees. Mount from above
- Mount the black screw in the top plate and tighten with appropriate force
- Mount the cartridge on the tonearm using the enclosed tool
- Mount the stylus with the stylus protection guard on the cartridge body

2M Premounted features

- Universal mount fitting matching S-shaped tonearms with standard H-4 bayonet mount.
- Provides correct Baerwald alignment with the major part of tonearms with universal mount.
- Gold-plated connectors for optimal audible connection.
- Distance to connector 52 mm.
- 2M Premounted cartridge weight: 16.7 g.



ortofon

Warning

This phono cartridge is only for mounting on tonearms and must not be used for other purposes.

2M



Scan and follow the QR code for setup
and support or find more information on
www.ortofon.com/support

ortofon
accuracy in sound

Ortofon A/S | Stavangervej 9 | DK-4900 Nakskov
Tel. +45 54 91 19 15 | www.ortofon.com